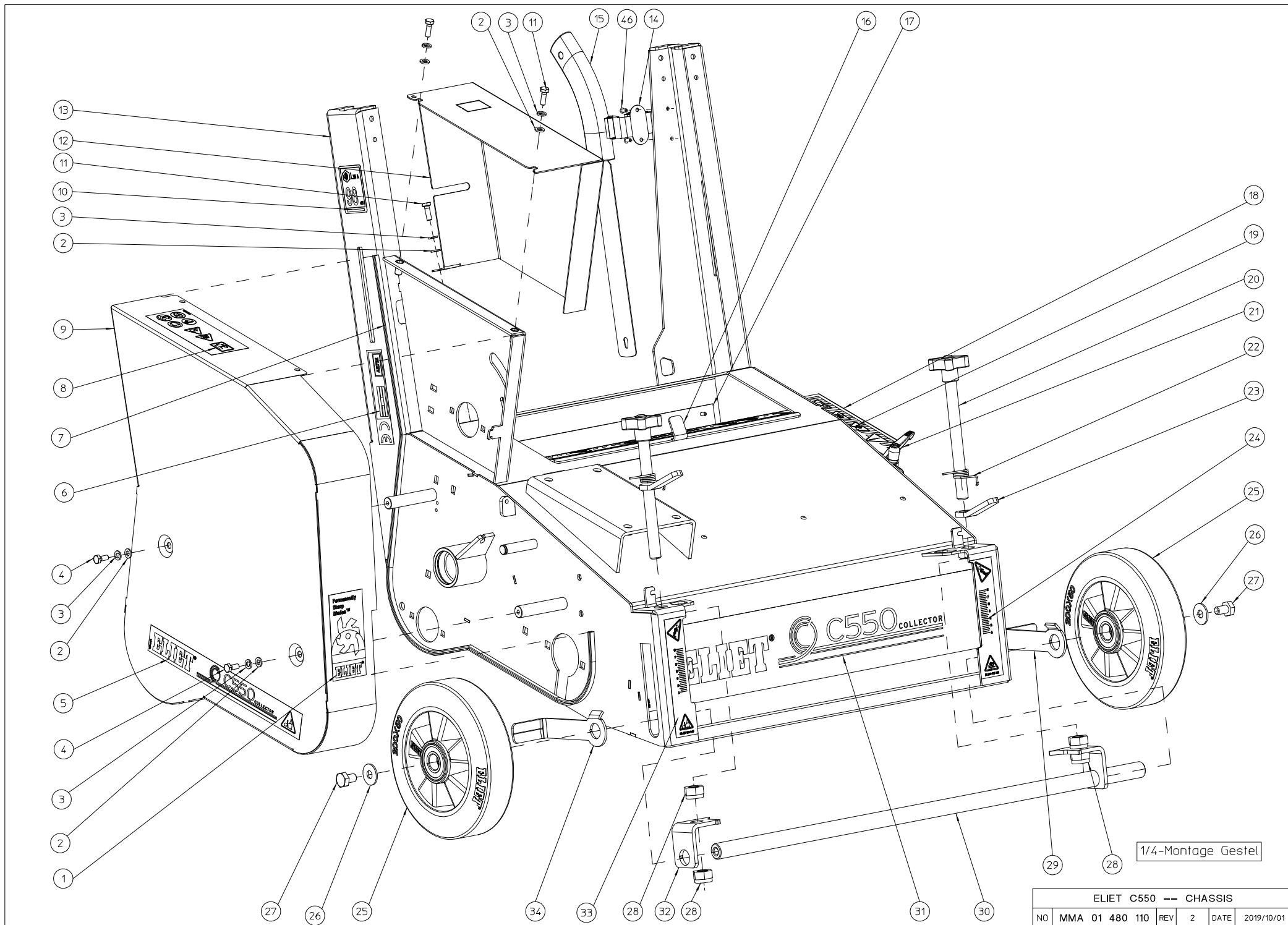


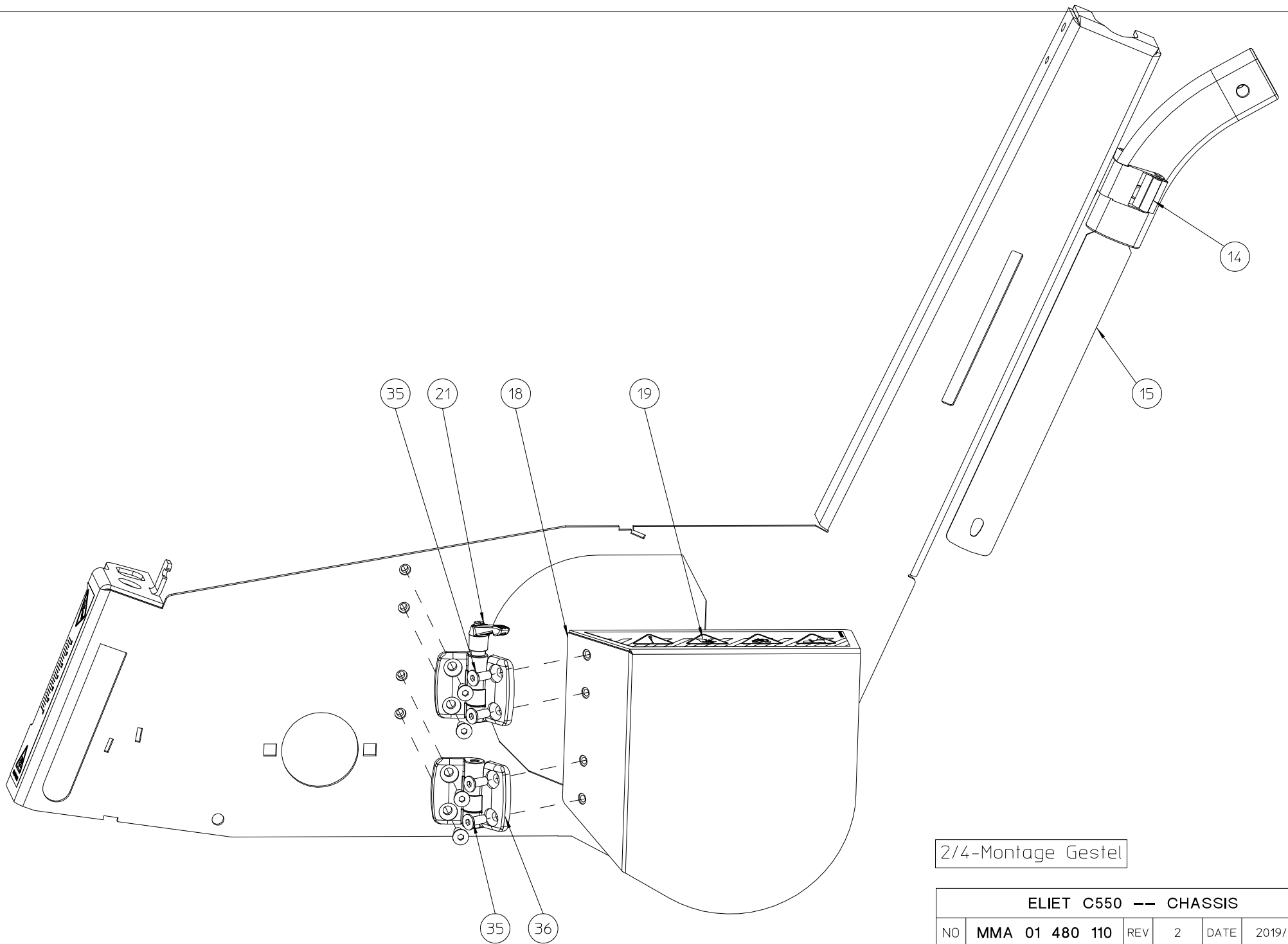
| ELIET C550 -- GENERAL | | | | | |
|-----------------------|----------------|-----|---|------|------------|
| NO | MMA 01 480 100 | REV | 1 | DATE | 2019/10/01 |

| # | Order nr | article description | quantity |
|-----|----------------|-------------------------|----------|
| 110 | MMA 01 480 110 | frame | 1 |
| 120 | MMA 01 480 120 | c-550 collector - knife | 1 |
| 130 | MMA 01 480 130 | transmission of knives | 1 |
| 140 | MMA 01 480 140 | traction role | 1 |
| 150 | MMA 01 480 150 | traction role drive | 1 |
| 160 | MMA 01 480 160 | collector | 1 |
| 170 | MMA 01 480 170 | handlebars | 1 |
| 180 | MMA 01 480 180 | options | 1 |



| ELIET C550 -- CHASSIS | | | | | | |
|-----------------------|----------------|-----|---|------|------------|--|
| NO | MMA 01 480 110 | REV | 2 | DATE | 2019/10/01 | |

| # | Order nr | article description | quantity |
|----|----------------|---------------------------------------|----------|
| 1 | BQ 501 010 100 | sticker permanent sharp blades | 1 |
| 2 | BS 531 000 600 | washer m6 din 125 | 5 |
| 3 | BS 533 000 600 | lock washer m6 din 127b | 5 |
| 4 | BS 512 000 614 | bolt m6x14 din 933 | 2 |
| 5 | BQ 501 480 020 | sticker - c550 side right down | 1 |
| 6 | BQ 505 010 010 | identity sticker ce 120x30 | 1 |
| 7 | BR 000 910 960 | rubber u-moulding 960mm | 1 |
| 8 | BQ 505 010 550 | sticker - c550 warning with 7 icon | 1 |
| 9 | MPA 01 480 100 | transmission guard | 1 |
| 10 | BQ 505 112 098 | sticker sound level 98 db | 1 |
| 11 | BS 512 000 618 | bolt m6x18 din 933 | 3 |
| 12 | MPA 01 480 125 | reduction box protection | 1 |
| 13 | MPA 01 480 020 | chassis | 1 |
| 14 | BG 741 905 111 | toolholders | 1 |
| 15 | BG 220 225 401 | roller scraper | 1 |
| 16 | MPA 01 480 110 | superior protection of the screw | 1 |
| 17 | MPA 01 480 120 | reinforcement rear eliet | 1 |
| 18 | MPA 01 480 115 | lateral protection of the screw | 1 |
| 19 | BQ 505 010 540 | sticker - c550 warning with 4 icon | 1 |
| 20 | BN 630 214 550 | lob knob m14x150 | 2 |
| 21 | BY 201 113 020 | hinges with locking lever | 1 |
| 22 | BV 909 000 030 | spring | 4 |
| 23 | MPA 01 090 260 | locking handle | 2 |
| 24 | BQ 501 480 030 | sticker - c550 right adjustment right | 1 |
| 25 | BW 320 020 000 | front wheel alu 200/50-60 (e 501 pro) | 2 |
| 26 | BS 532 010 274 | washer m10x27x2 | 2 |
| 27 | BS 512 001 016 | bolt m10x16 din 933 | 2 |
| 28 | BS 502 001 400 | self locking nut m14 din 985 | 4 |
| 29 | MPA 01 360 260 | front wheel holder left | 1 |
| 30 | MPA 01 480 095 | height adjustment stand wheel-l | 1 |
| 31 | BQ 501 480 010 | sticker - c550 front sticker | 1 |
| 32 | MPA 01 480 090 | height adjustment stand wheel-r | 1 |
| 33 | BQ 501 480 040 | sticker - c550 left adjustment | 1 |
| 34 | MPA 01 360 250 | front wheel holder right | 1 |
| 46 | BG 741 905 111 | toolholders | 1 |

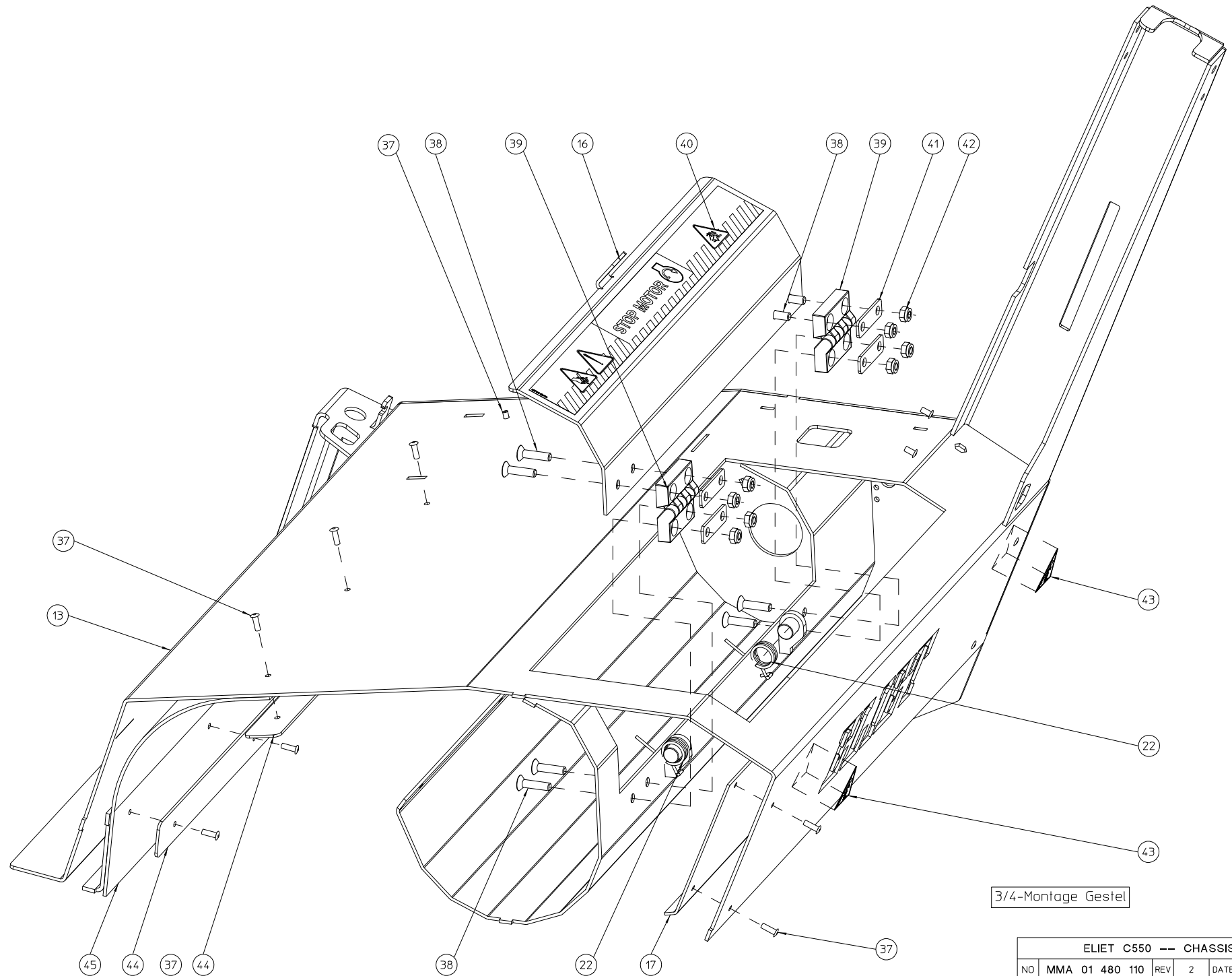


2/4-Montage Gestel

ELIET C550 --- CHASSIS

| | | | | | |
|----|----------------|-----|---|------|------------|
| NO | MMA 01 480 110 | REV | 2 | DATE | 2019/10/01 |
|----|----------------|-----|---|------|------------|

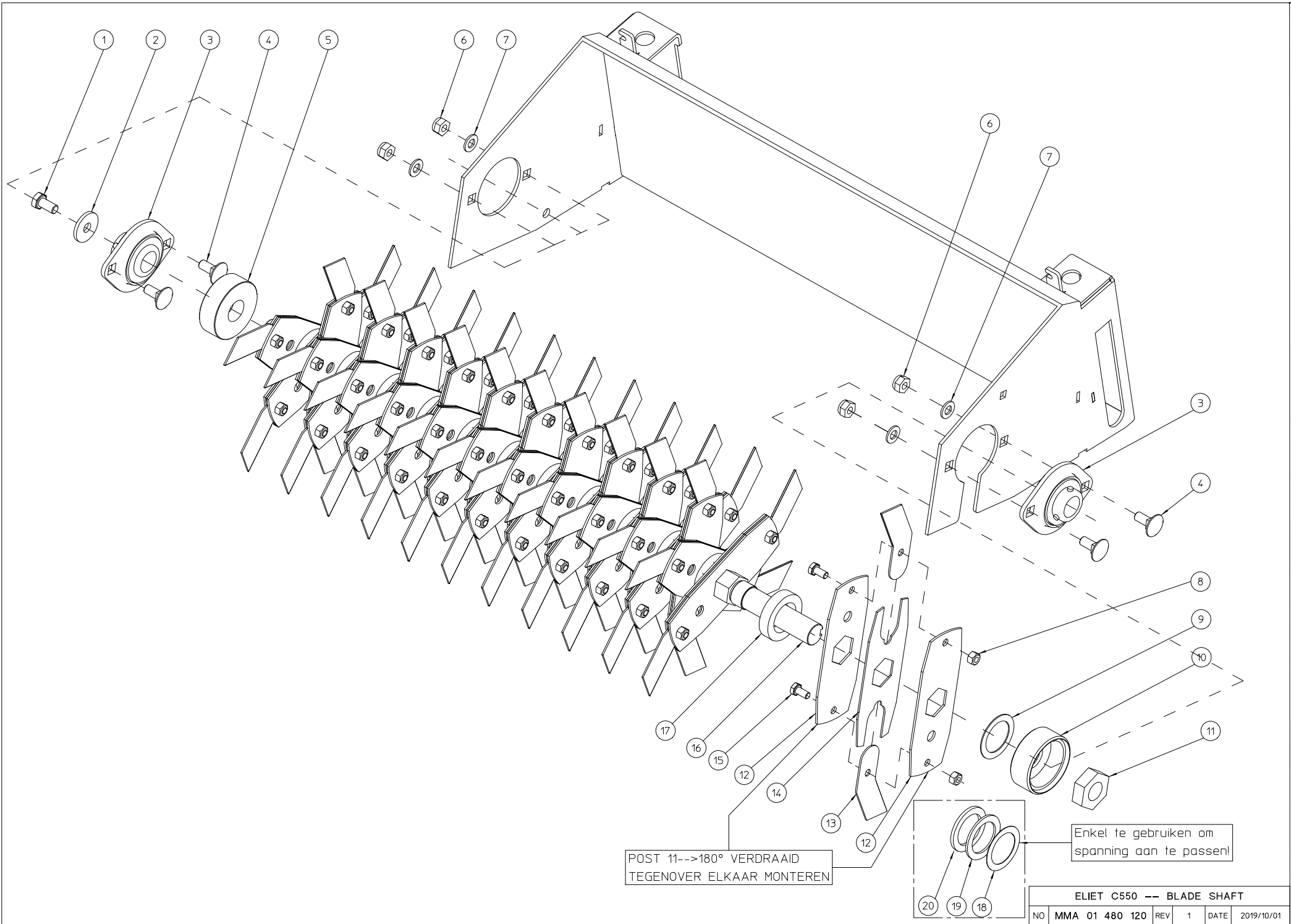
| # | Order nr | article description | quantity |
|----|----------------|------------------------------------|----------|
| 14 | BG 741 905 111 | toolholders | 1 |
| 15 | BG 220 225 401 | roller scraper | 1 |
| 18 | MPA 01 480 115 | lateral protection of the screw | 1 |
| 19 | BQ 505 010 540 | sticker - c550 warning with 4 icon | 1 |
| 21 | BY 201 113 020 | hinges with locking lever | 1 |
| 35 | BS 522 100 616 | screw m6x16 din 7991 | 8 |
| 36 | BY 201 112 090 | hinge | 1 |



3/4-Montage Gestel

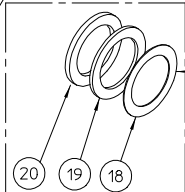
| ELIET C550 -- CHASSIS | | | | | |
|-----------------------|----------------|-----|---|------|------------|
| NO | MMA 01 480 110 | REV | 2 | DATE | 2019/10/01 |

| # | Order nr | article description | quantity |
|----|----------------|------------------------------------|----------|
| 13 | MPA 01 480 020 | chassis | 1 |
| 16 | MPA 01 480 110 | superior protection of the screw | 1 |
| 17 | MPA 01 480 120 | reinforcement rear eliet | 1 |
| 22 | BV 909 000 030 | spring | 4 |
| 37 | BB 221 004 120 | pop plug steel 3.9x12 | 13 |
| 38 | BS 522 100 625 | screw m6x25 din 7991 | 8 |
| 39 | BY 201 214 020 | plastic hinge | 2 |
| 40 | BQ 505 010 530 | sticker - c550 warning with 4 icon | 1 |
| 41 | MPA 01 480 105 | flat for hinge | 4 |
| 42 | BS 502 000 600 | self locking nut m6 din 985 | 8 |
| 43 | BQ 505 010 560 | sticker - c550 | 2 |
| 44 | MPA 01 480 080 | clamping plate | 2 |
| 45 | BR 900 001 830 | rubber inner coat | 1 |



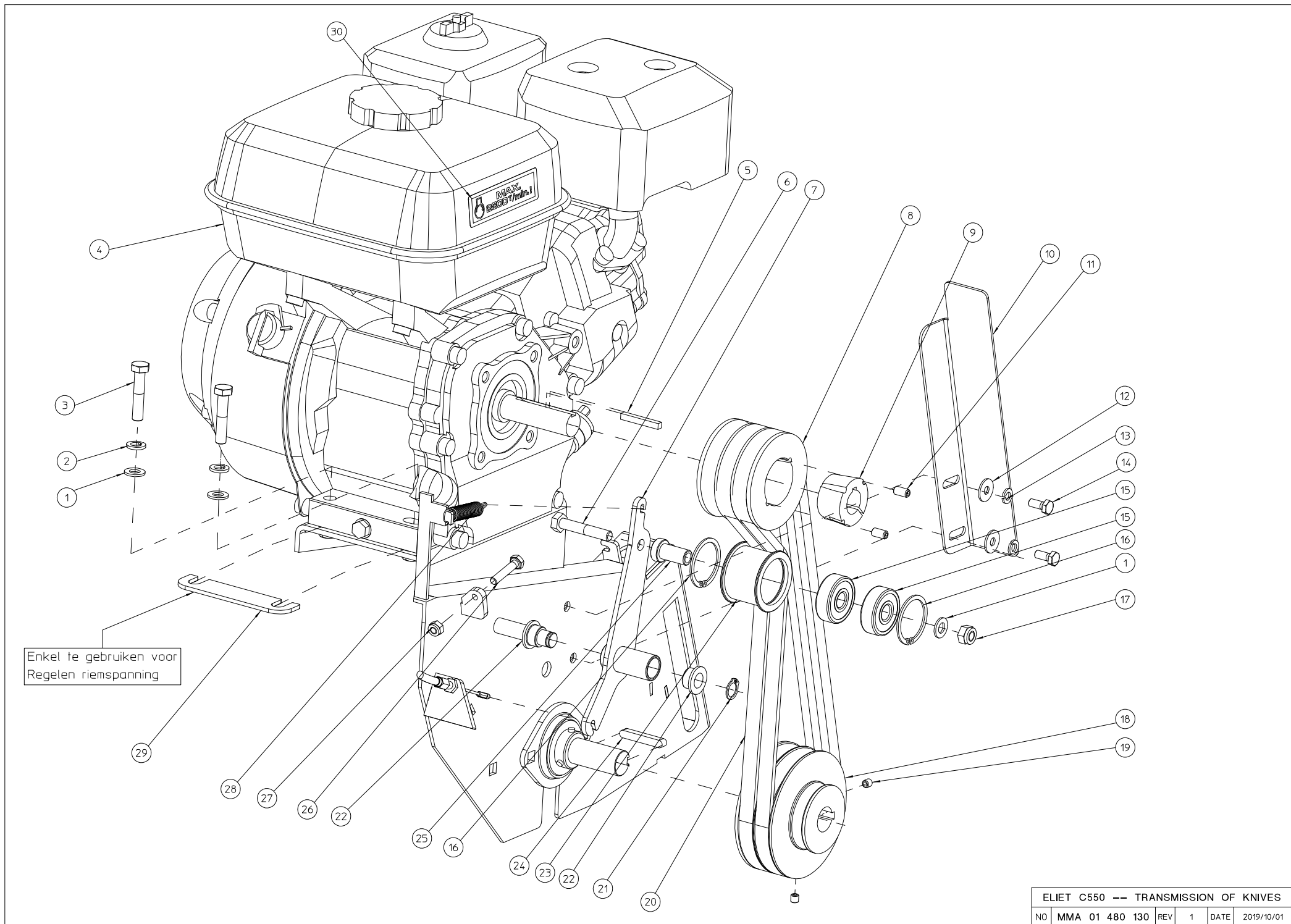
POST 11-->180° VERDRAAID
TEGENOVER ELKAAR MONTEREN

Enkel te gebruiken om
spanning aan te passen!

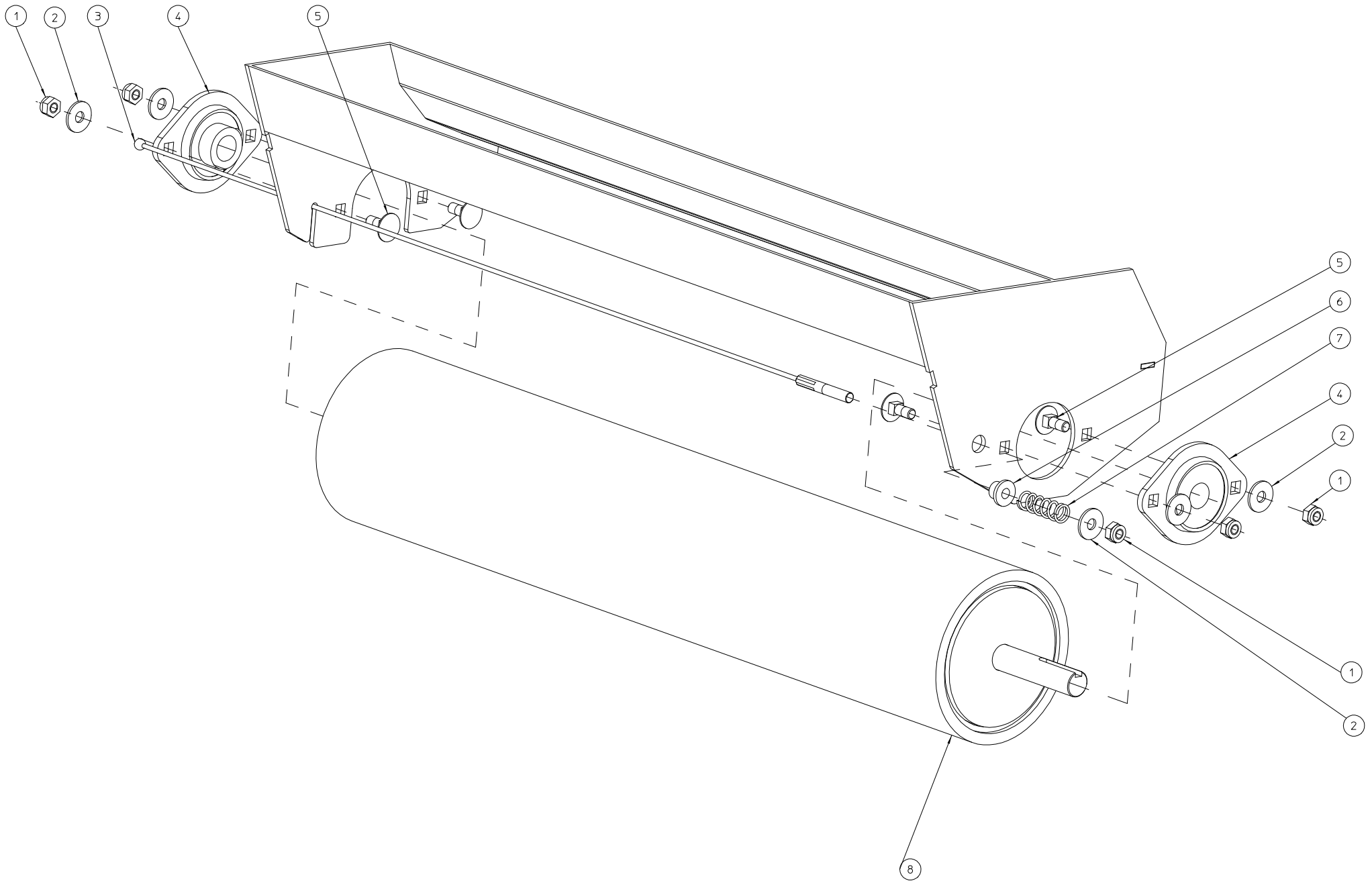


| | | | | | | |
|---------------------------|----------------|-----|---|------|------------|--|
| ELIET C550 -- BLADE SHAFT | | | | | | |
| NO | MMA 01 480 120 | REV | 1 | DATE | 2019/10/01 | |

| # | Order nr | article description | quantity |
|----|----------------|----------------------------------|----------|
| 1 | BS 512 170 816 | bolt left hand thread m8 x 1.25 | 1 |
| 2 | BS 532 008 306 | washer m8x30x3 | 1 |
| 3 | BL 801 102 002 | bearing + flanges ucpfl 204 | 2 |
| 4 | BS 554 100 820 | bolt m8x20 din 603 | 4 |
| 5 | MPA 01 480 155 | washer blade left | 1 |
| 6 | BS 502 000 800 | self locking nut m8 din 985 | 4 |
| 7 | BS 531 000 800 | washer m8 din 125 | 4 |
| 8 | BS 502 000 600 | self locking nut m6 din 985 | 66 |
| 9 | BS 036 003 010 | fitting ring 30x42x1mm din 988 | 1 |
| 10 | MPA 01 480 175 | washer blade right | 1 |
| 11 | BS 501 902 200 | nut m22x1.50 din 439 | 1 |
| 12 | MPA 01 480 060 | knife holder | 66 |
| 13 | MPA 01 480 065 | knife | 66 |
| 14 | MPA 01 480 055 | knife guide | 33 |
| 15 | BS 512 000 612 | bolt m6x12 din 933 | 66 |
| 16 | MPA 01 480 150 | blade shaft | 1 |
| 17 | BR 111 291 010 | nylon bushing (28.5/44x10) | 32 |
| 18 | BS 036 003 005 | fitting ring 30x42x0,5mm din 988 | 1 |
| 19 | BS 036 003 020 | fitting ring 30x42x2mm din 988 | 1 |
| 20 | BS 036 003 030 | fitting ring 30x42x3mm din 988 | 1 |

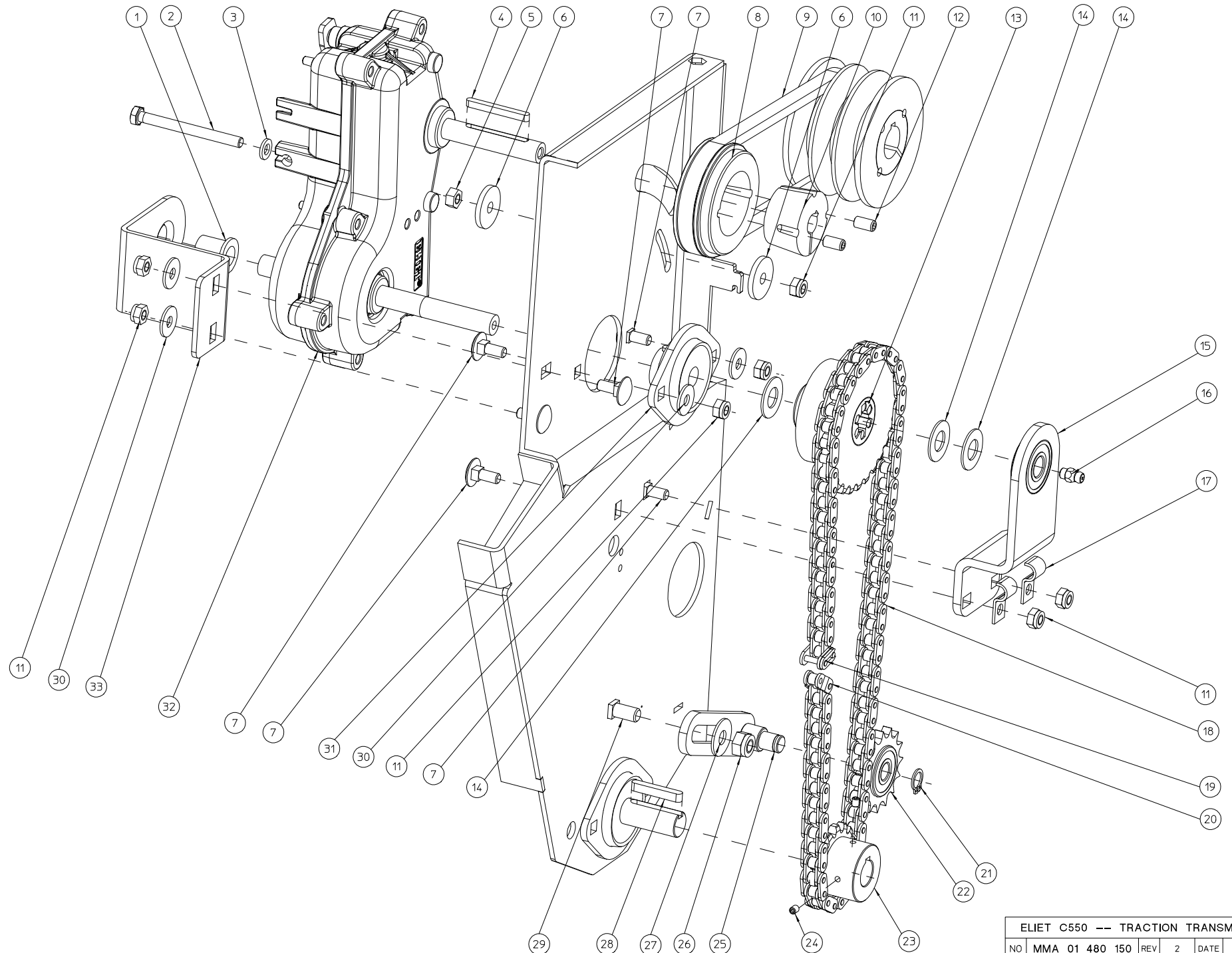


| # | Order nr | article description | quantity |
|----|----------------|---|----------|
| 1 | BS 531 000 800 | washer m8 din 125 | 5 |
| 2 | BS 533 000 800 | lock washer m8 din 127b | 4 |
| 3 | BS 511 000 835 | bolt m8x35 din 931 | 4 |
| 4 | BM 202 106 500 | honda gx 200 | 1 |
| 5 | BB 342 050 535 | key 4.7x4.7x35 din 6880 | 1 |
| 6 | BS 511 000 841 | bolt m8x45 din 931 | 1 |
| 7 | MPA 01 420 515 | support pressure roller | 1 |
| 8 | BA 562 707 130 | pulley spa iii 71 tl1108 | 1 |
| 9 | BB 501 211 200 | taper lock tl 1108 gat Ø 19.05 | 1 |
| 10 | MPA 01 480 040 | belt catcher | 1 |
| 11 | BB 501 306 130 | set screw 1/4"x1/2" | 2 |
| 12 | BS 532 006 183 | washer m6x18x1.5 | 2 |
| 13 | BS 533 000 600 | lock washer m6 din 127b | 2 |
| 14 | BS 512 000 614 | bolt m6x14 din 933 | 2 |
| 15 | BL 001 203 703 | bearing 6301 2rz | 2 |
| 16 | BB 002 000 370 | retaining ring 32 din 472 | 2 |
| 17 | BS 502 000 800 | self locking nut m8 din 985 | 1 |
| 18 | BA 565 709 531 | pulley 2xspa 95+1 spz-50 | 1 |
| 19 | BS 023 000 606 | set screw m6x6 din 916 | 2 |
| 20 | BA 527 708 890 | belt 4l 350 | 2 |
| 21 | BB 001 000 120 | retaining ring 12 din 471 | 1 |
| 22 | BR 112 121 090 | nylon bushing with collar (12/16/22x10/2) | 2 |
| 23 | MPA 01 350 030 | pressure roller belt tightener | 1 |
| 24 | BB 351 060 640 | key 6x6x40 din 6885a | 1 |
| 25 | MPA 01 350 040 | spacer belt tightener galvanized | 1 |
| 26 | BS 512 000 630 | bolt m6x30 din 933 | 1 |
| 27 | BS 502 000 600 | self locking nut m6 din 985 | 1 |
| 28 | BV 011 011 005 | spring 1x11x55 | 1 |
| 29 | MPA 01 480 180 | motor thickness | 2 |
| 30 | BQ 505 010 020 | sticker max 2800 rpm 90x25 | 1 |



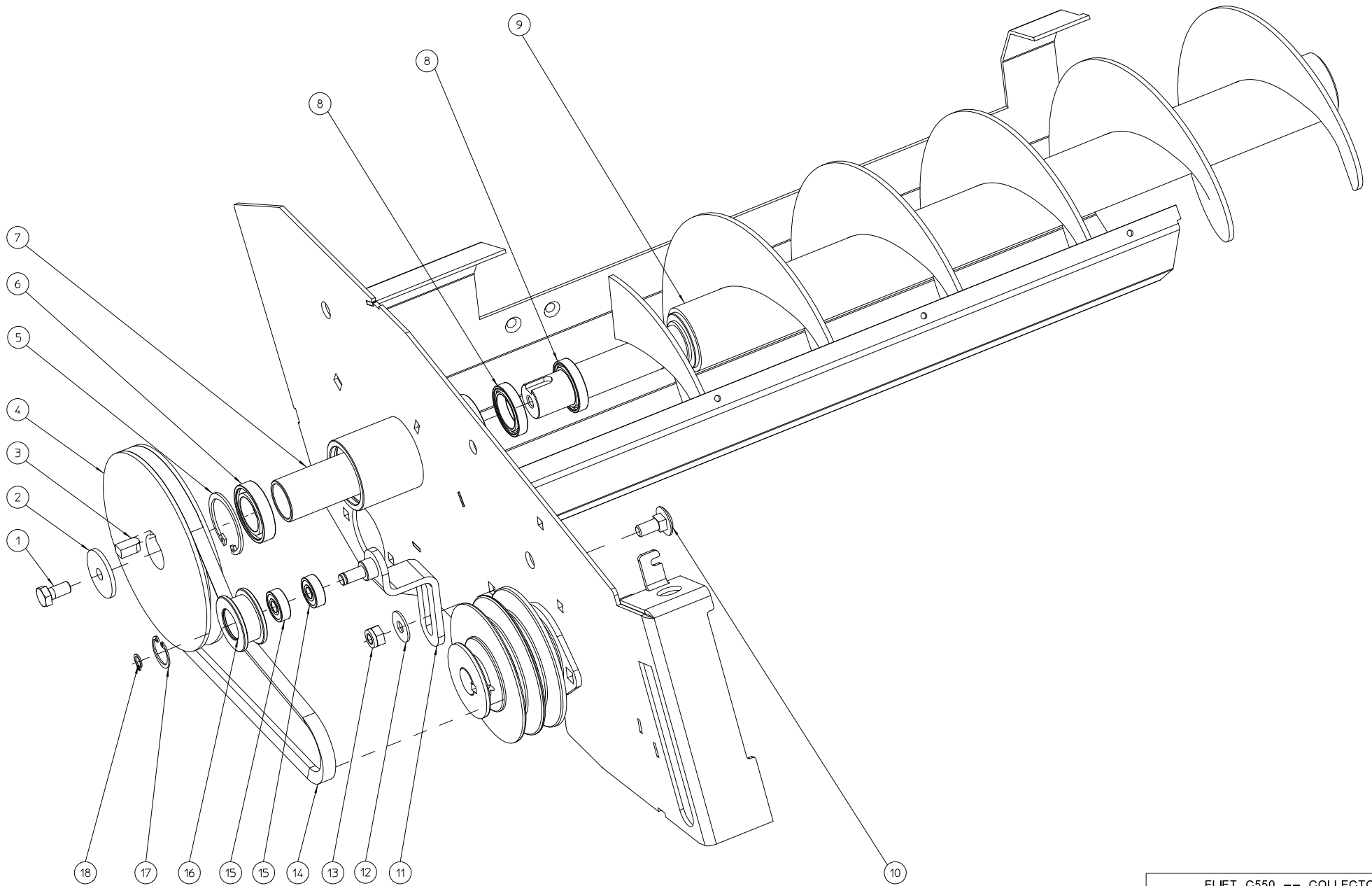
| ELIET C550 -- TRACTION ROLL | | | | | |
|-----------------------------|----------------|-----|---|------|------------|
| NO | MMA 01 480 140 | REV | 1 | DATE | 2019/10/01 |

| # | Order nr | article description | quantity |
|---|----------------|---|----------|
| 1 | BS 502 000 600 | self locking nut m6 din 985 | 5 |
| 2 | BS 532 006 183 | washer m6x18x1.5 | 5 |
| 3 | BK 155 250 588 | towing cable2,5x588 mm | 1 |
| 4 | BL 801 101 500 | bearing + flanges aspfl 202 | 2 |
| 5 | BS 554 100 616 | bolt m6x16 din 603 | 4 |
| 6 | BR 112 060 800 | nylon bushing with collar (6/10/15x8.5/2) | 1 |
| 7 | BV 925 000 010 | compression spring 1,3 x 11 x 33,6 | 1 |
| 8 | MPA 01 480 035 | coated tractionroll | 1 |



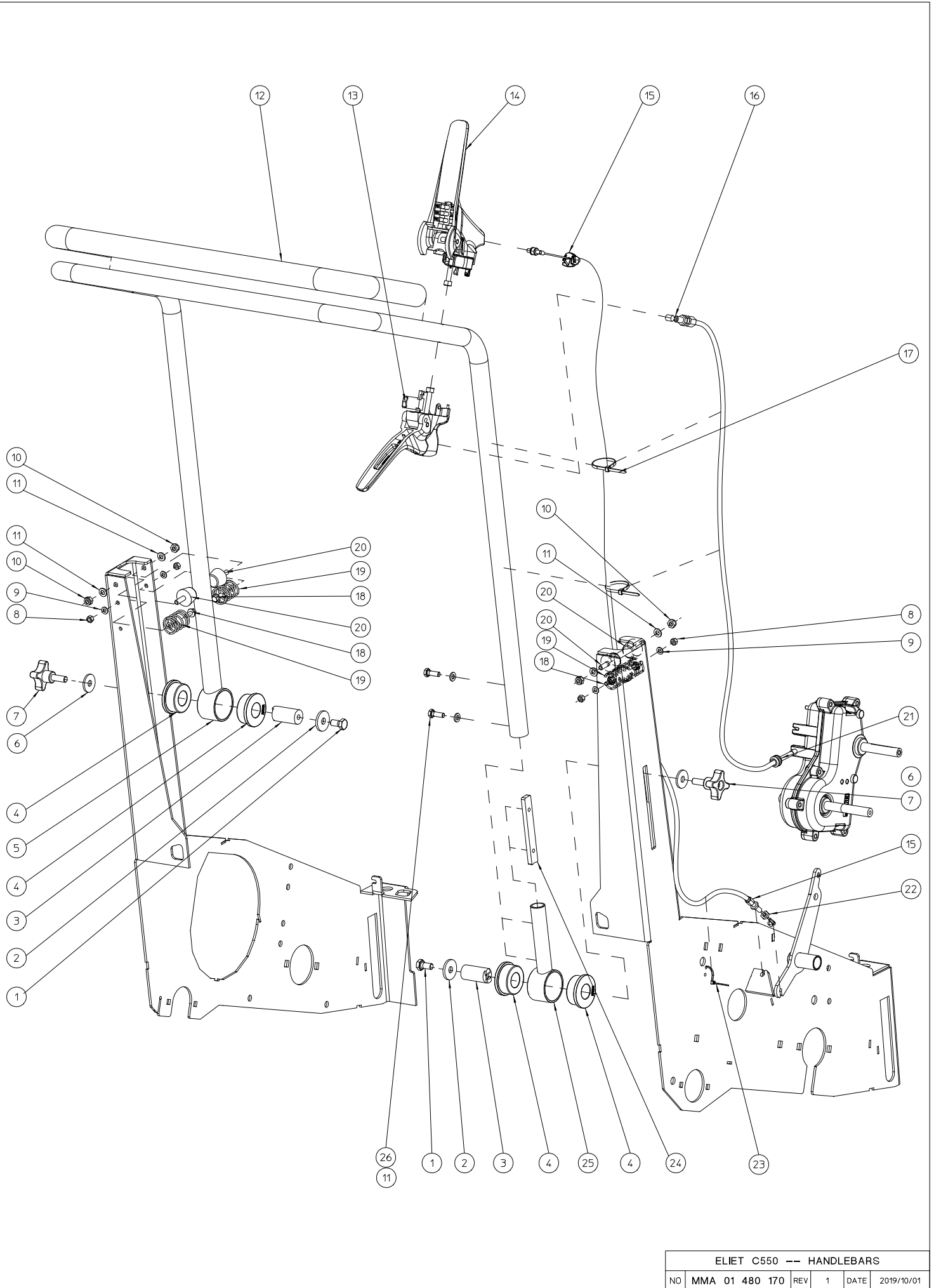
| ELIET C550 --- TRACTION TRANSMISSION | | | | | | |
|--------------------------------------|----------------|-----|---|------|------------|--|
| NO | MMA 01 480 150 | REV | 2 | DATE | 2019/10/01 | |

| # | Order nr | article description | quantity |
|----|----------------|--|----------|
| 1 | BR 112 121 900 | nylon bushing with collar (12/16/21x19/2) | 1 |
| 2 | BS 512 000 645 | bolt m6x65 din 933 | 1 |
| 3 | BS 531 000 600 | washer m6 din 125 | 1 |
| 4 | BB 351 040 440 | key 4x4x40 din 6885a | 1 |
| 5 | BS 501 000 600 | nut m6 din 934 | 1 |
| 6 | BS 532 006 276 | washer m6x27x3 | 2 |
| 7 | BS 554 100 616 | bolt m6x16 din 603 | 6 |
| 8 | BA 561 706 310 | pulley spz 63 tl1108 | 1 |
| 9 | BA 521 404 870 | belt z 487 | 1 |
| 10 | BB 501 111 200 | taper lock tl 1108-12 | 1 |
| 11 | BS 502 000 600 | self locking nut m6 din 985 | 7 |
| 12 | BB 501 306 130 | set screw 1/4"x1/2" | 2 |
| 13 | BA 171 027 289 | sprocket simplex 3/8"x7/32" 27t + clutch mechanism | 1 |
| 14 | BR 111 120 100 | nylon bushing (12.2x24x1.3) | 3 |
| 15 | MPA 01 480 050 | bearing support | 1 |
| 16 | BY 100 106 100 | grease fitting m6 din 71412 | 1 |
| 17 | BE 043 200 080 | cable clamp | 2 |
| 18 | BA 101 077 020 | chain simplex 3/8"x7/32" 77l | 1 |
| 19 | BA 151 200 000 | connecting chain link simplex 3/8"x7/32" | 1 |
| 20 | BA 151 400 000 | connecting chain link simplex (1/2) 3/8"x7/32" | 1 |
| 21 | BB 001 000 100 | retaining ring 10 din 471 | 1 |
| 22 | BA 198 010 150 | sprocket simplex 3/8"x7/32" 15t + bearing | 1 |
| 23 | BA 171 015 150 | sprocket simplex 3/8"x7/32" 15t | 1 |
| 24 | BS 023 000 405 | set screw m4x6 din 916 | 2 |
| 25 | MPA 01 480 075 | chain tensioner | 1 |
| 26 | BS 502 000 800 | self locking nut m8 din 985 | 1 |
| 27 | BS 532 008 223 | washer m8x22x1.5 | 1 |
| 28 | BB 351 050 532 | key 5x5x32 din 6885a | 1 |
| 29 | BS 554 100 820 | bolt m8x20 din 603 | 1 |
| 30 | BS 532 006 183 | washer m6x18x1.5 | 4 |
| 31 | BL 801 101 200 | bearing + flanges aspfl 201 | 1 |
| 32 | BA 670 405 405 | reduction gearboxes e600 compactor | 1 |
| 33 | MPA 01 480 045 | support gear | 1 |



| | | | | |
|-------------------------|----------------|-----|---|-----------------|
| ELIET C550 -- COLLECTOR | | | | |
| NO | MMA 01 480 160 | REV | 1 | DATE 2019/10/01 |

| # | Order nr | article description | quantity |
|----|----------------|-----------------------------|----------|
| 1 | BS 512 000 816 | bolt m8x16 din 933 | 1 |
| 2 | BS 532 008 356 | washer m8x35x3 | 1 |
| 3 | BB 341 080 715 | key 8x7x15 din 6880 | 1 |
| 4 | BA 564 714 003 | pulley spz 140 | 1 |
| 5 | BB 002 000 420 | retaining ring 42 din 472 | 1 |
| 6 | BL 002 504 203 | bearing 61905-2rs | 1 |
| 7 | MPA 01 480 145 | spacer for the screw | 1 |
| 8 | BL 002 503 703 | bearing 61805-2r | 2 |
| 9 | MPA 01 480 025 | evacuation screw | 1 |
| 10 | BS 554 100 820 | bolt m8x20 din 603 | 1 |
| 11 | MPA 01 480 070 | belt tension collector | 1 |
| 12 | BS 532 008 223 | washer m8x22x1.5 | 1 |
| 13 | BS 502 000 800 | self locking nut m8 din 985 | 1 |
| 14 | BA 521 107 220 | belt xpz-722 | 1 |
| 15 | BL 000 802 203 | bearing ezo 608 zz | 2 |
| 16 | BA 599 006 201 | idler roller Ø32 | 1 |
| 17 | BB 002 000 220 | retaining ring 22 din 472 | 1 |
| 18 | BB 001 000 080 | retaining ring 8 din 471 | 1 |



| ELIET C550 -- HANDLEBARS | | | | | | |
|--------------------------|----------------|-----|---|------|------------|--|
| NO | MMA 01 480 170 | REV | 1 | DATE | 2019/10/01 | |
| | | | | | | |

| # | Order nr | article description | quantity |
|----|----------------|--|----------|
| 1 | BS 512 000 816 | bolt m8x16 din 933 | 2 |
| 2 | BS 532 008 306 | washer m8x30x3 | 2 |
| 3 | MPA 01 420 875 | hinge lift | 2 |
| 4 | BR 900 001 860 | silentbloc | 4 |
| 5 | MPA 01 480 160 | handlebars | 1 |
| 6 | BR 111 080 200 | washer nylon 8.4 x 25 x 2.5 | 2 |
| 7 | BN 630 208 200 | lob knob m8x20 | 2 |
| 8 | BS 502 000 500 | self locking nut m5 din 985 | 4 |
| 9 | BS 531 000 500 | washer m5 din 125 | 4 |
| 10 | BS 502 000 600 | self locking nut m6 din 985 | 4 |
| 11 | BS 531 000 600 | washer m6 din 125 | 6 |
| 12 | BN 231 002 080 | soft rubber grip dia 24.5mm (l=800mm) | 1 |
| 13 | BN 332 500 870 | lever black | 1 |
| 14 | BN 332 500 570 | lever red dzc 600 | 1 |
| 15 | BK 153 181 270 | closed control cable | 1 |
| 16 | BK 153 181 020 | closed control cable | 1 |
| 17 | BE 043 010 140 | wrap tie 140x3.5 | 2 |
| 18 | BS 511 400 512 | self-locking flange bolt m5x12 | 4 |
| 19 | BV 904 000 020 | compression spring lever h.32 dia e.24 galvanized nt.6 | 4 |
| 20 | BR 600 425 170 | antivibration blocks 25x17b m6x18 | 4 |
| 21 | BR 000 208 030 | rubber grommets 8/3 | 1 |
| 22 | BS 501 900 600 | nut m6 din 439 | 1 |
| 23 | BE 043 010 100 | wrap tie 100x2.5 | 1 |
| 24 | MPA 01 480 170 | flat fixing handlebars | 1 |
| 25 | MPA 01 480 165 | handle hinge | 1 |
| 26 | BS 512 000 618 | bolt m6x18 din 933 | 2 |